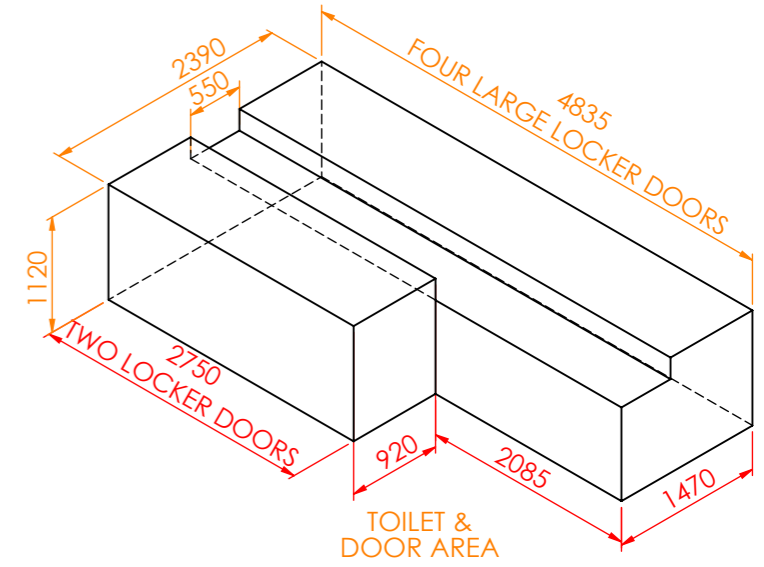
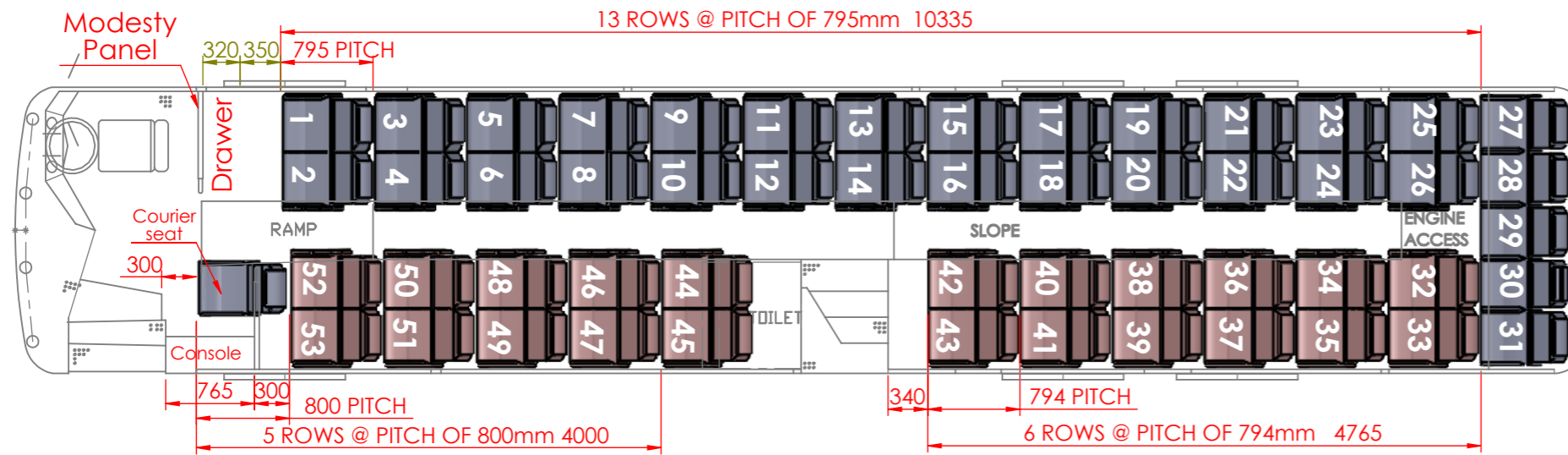


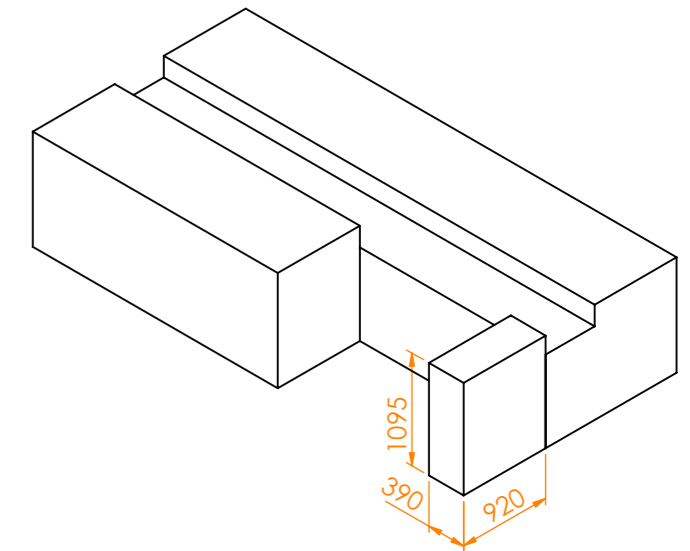
**NS PROFILE**



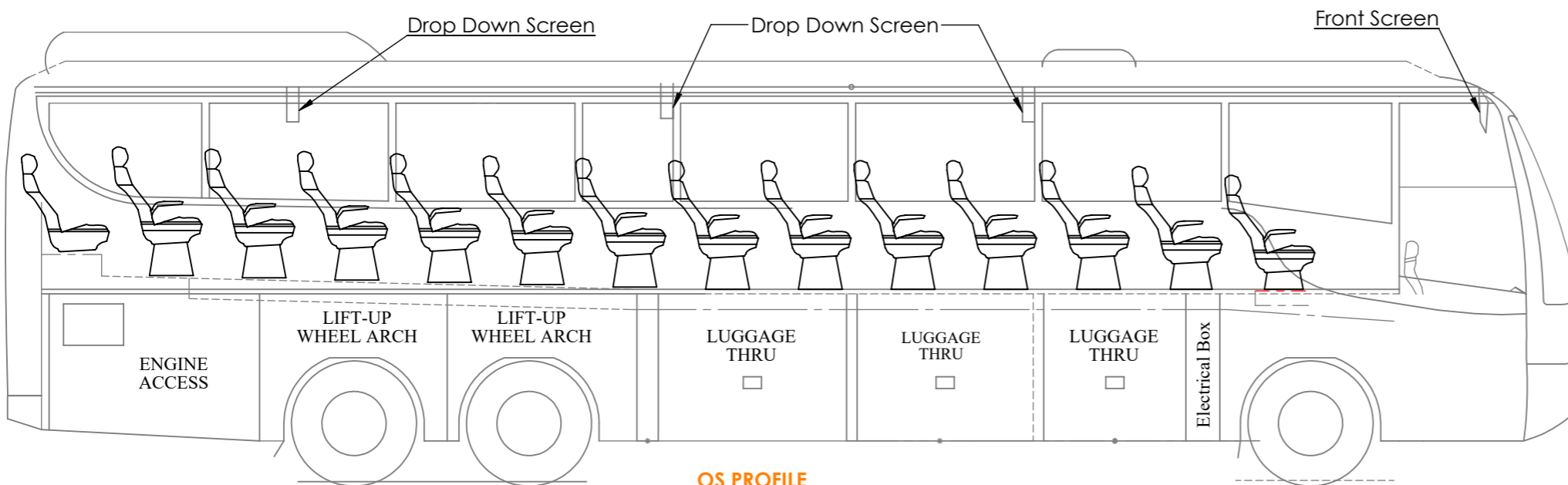
**MAIN LUGGAGE COMPARTMENT**  
10 cubic meters (minus electrical lockers)



**FLOOR PLAN**



**DRIVER'S LOCKER**  
0.39 cubic meters



**OS PROFILE**

**COACHWORK CENTRAL LTD**  
7 Maa Street, Palmerston North  
NEW ZEALAND  
Ph: 06 356 7139 Fax: 06 356 4049  
coachworkcentral@xtra.co.nz  
coachworkcentral.co.nz

CHASSIS: SCANIA K400  
**53 SEAT TWO DOOR COACH WITH TOILET + COURIER**

PROPRIETARY AND CONFIDENTIAL  
THE INFORMATION CONTAINED IN THIS DRAWING IS THE SOLE PROPERTY OF COACHWORK CENTRAL LIMITED. ANY REPRODUCTION IN PART OR AS A WHOLE WITHOUT THE WRITTEN PERMISSION OF COACHWORK CENTRAL LIMITED IS PROHIBITED.

UNLESS OTHERWISE SPECIFIED:  
DIMENSIONS ARE IN MILLIMETERS  
TOLERANCES:  
FRACTIONAL: ±  
ANGULAR: MACH ± BEND ±  
TWO PLACE DECIMAL ±  
THREE PLACE DECIMAL ±  
DO NOT SCALE DRAWING

DWG. NO.	SCANIA Coach	REV	A
DRAWN	xi	SCALE: 1:55	SHEET 1 OF 1